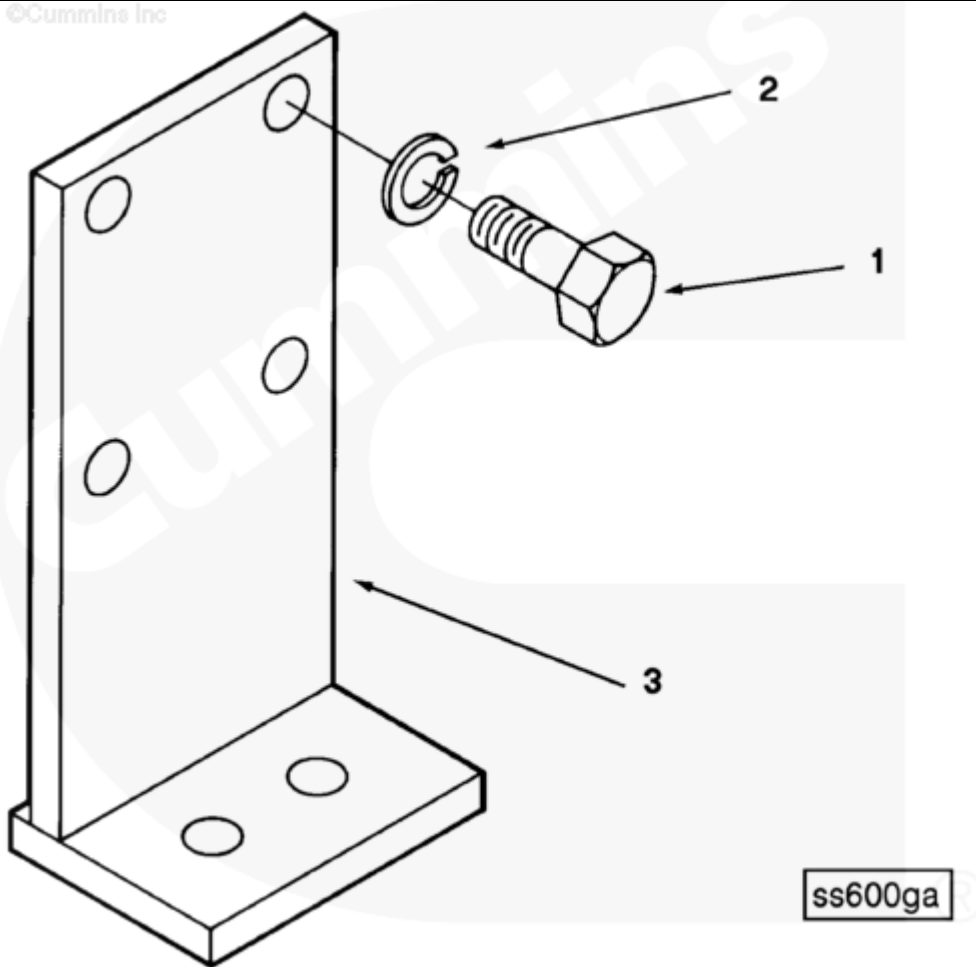




# Parts Catalog - Option Detail

Electronic Parts Catalog - Option Detail				
Option	Group	Graphic	Film Card	Date
BP6136	16.03.1	ss600ga	K38	13-SEP-05
<b>Engines</b>	GTA38, K38, KTA38GC CM558, QSK38 CM2150 K106, QSK38 CM2150 MCRS, QSK38 CM850 MCRS			



[SMALL](#) | [MEDIUM](#) | [LARGE](#)

Cart	Ref No	Part Number	Part Description	Required	Remarks
<a href="#">View My Cart</a>					
		<a href="#">BP6136</a>	Shipping Bracket		
<input type="checkbox"/>	1	<a href="#">S 152 A</a>	Hexagon Head Cap Screw	8	3/4 - 10 X 2 in.
<input type="checkbox"/>	2	<a href="#">S 611</a>	Lock Washer	8	3/4 in.
<input type="checkbox"/>	3	<a href="#">3175861</a>	Shipping Bracket	2	

